



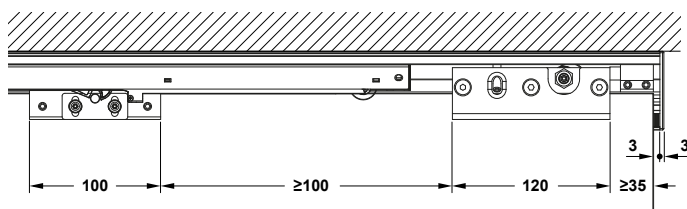
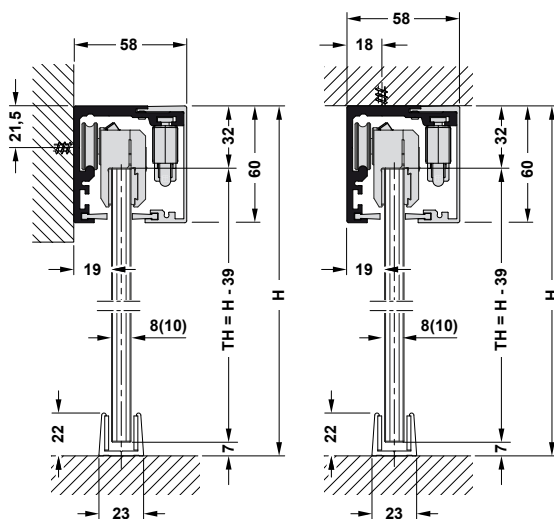


Slido D-Line12 50F

940.67.512	940.67.514	940.67.516
940.67.500	940.67.501	940.67.502
941.30.033	941.30.036	941.30.039
940.67.530	940.67.531	940.67.533

D-Line12	0 		2 	
50F	940.67.512	940.67.500	941.30.033	941.67.530
	940.67.514	940.67.501	941.30.036	940.67.531
	940.67.516	940.67.502	941.30.039	940.67.533

i

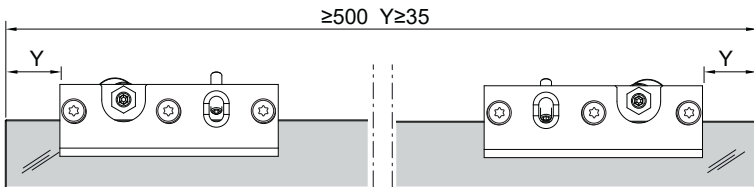


732.29.712

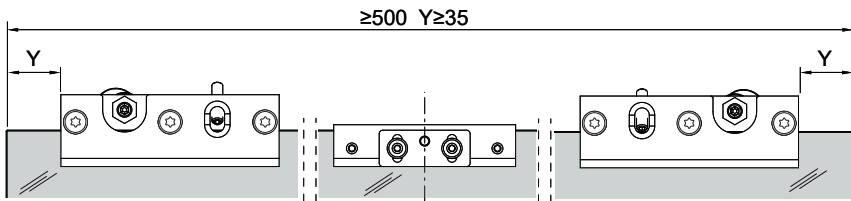
HDE 05.06.2023

i

0



2



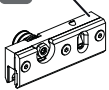
732.29.712



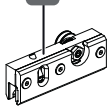
0



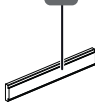
1x G



1x H



2x I



1x J



2x K



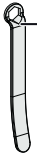
1x L



1x M



N 1x



O 1x



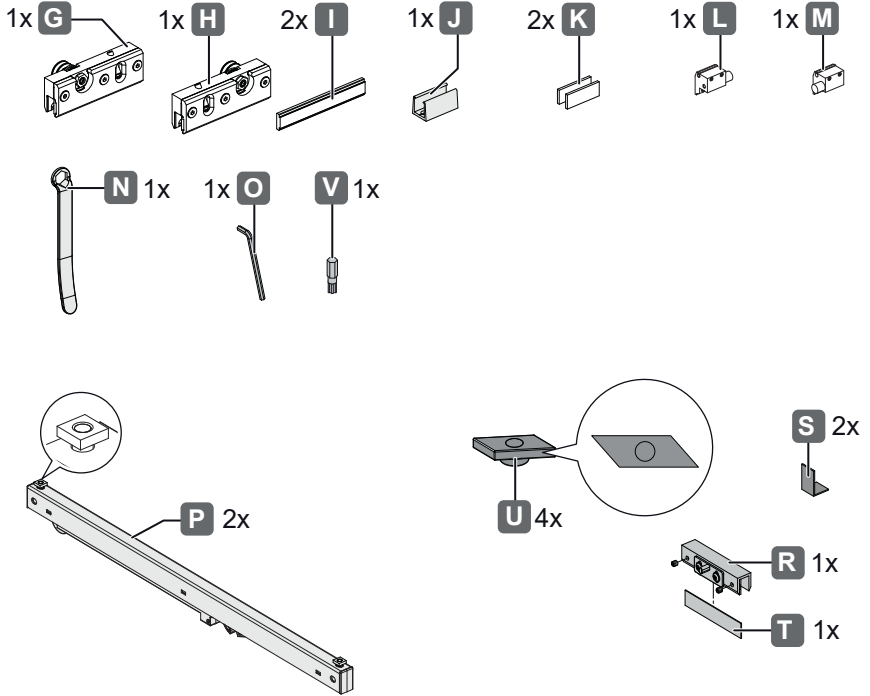
V 1x



HDE 05.06.2023

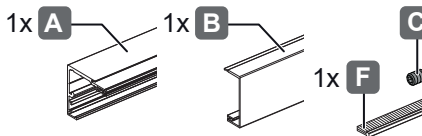
+

2
WWVI

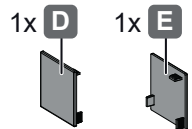


732.29.712

+

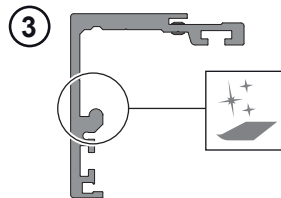
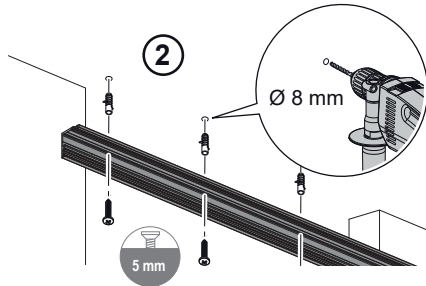
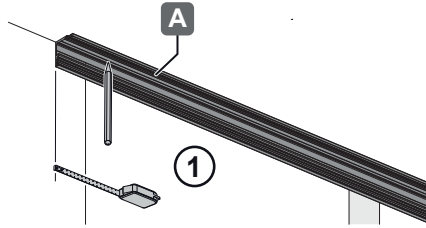
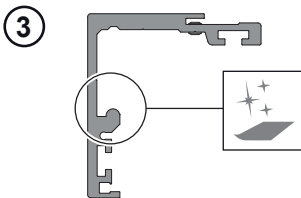
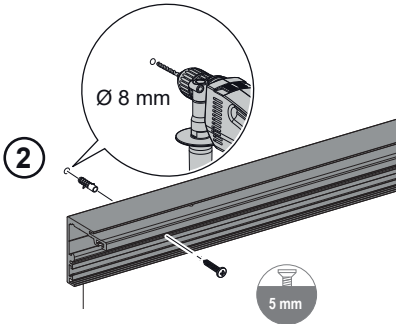
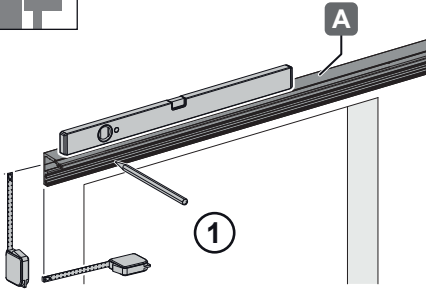


+



HDE 05.06.2023

1



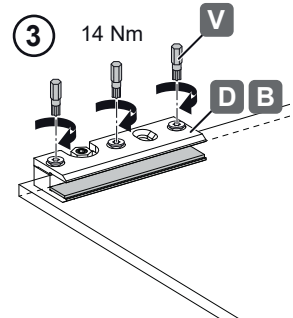
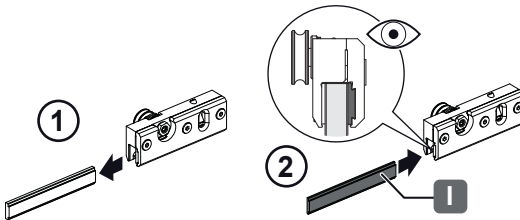
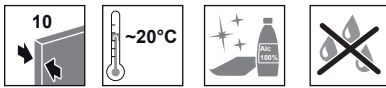
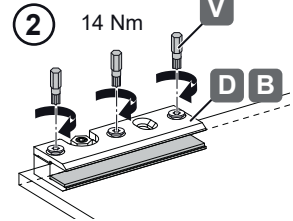
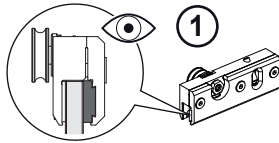
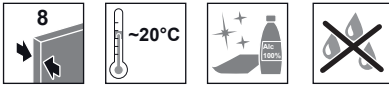
732.29.712

HDE 05.06.2023

2a

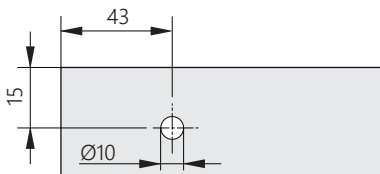
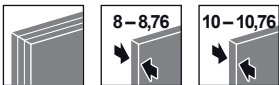


TX 30



732.29.712

i



940.67.090



HDE 05.06.2023

2b



TX 30



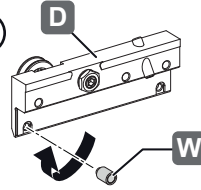
8-8,76



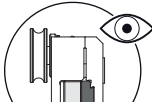
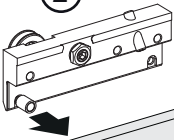
~20°C



1



2



3



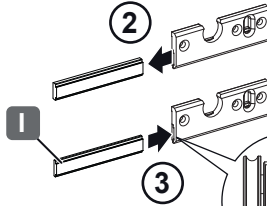
10-10,76



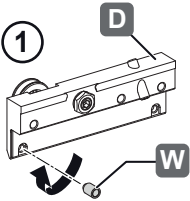
~20°C



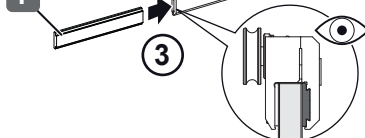
2



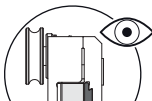
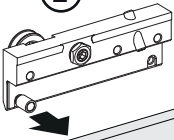
1



3



2



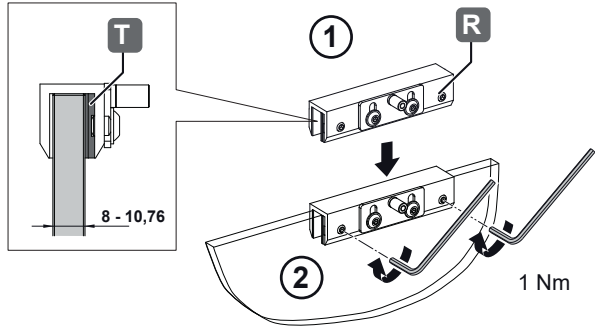
3



732.29.712

HDE 05.06.2023

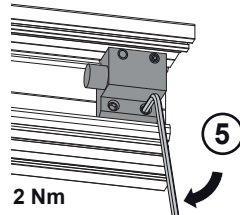
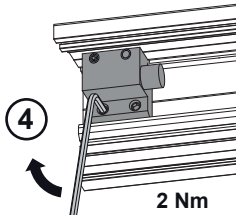
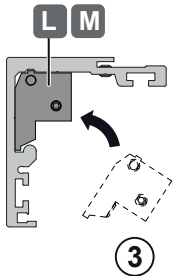
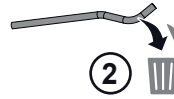
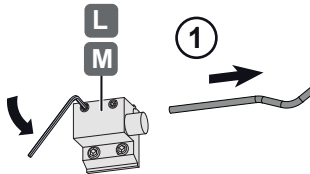
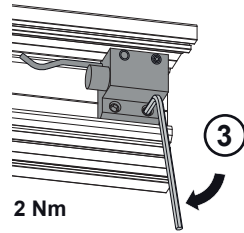
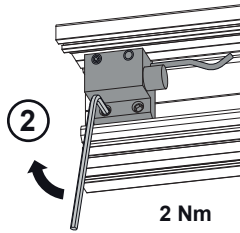
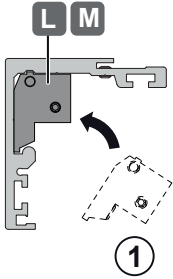
3



732.29.712

HDE 05.06.2023

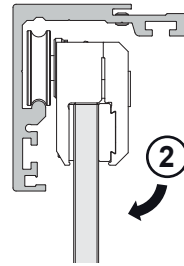
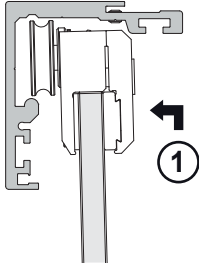
4



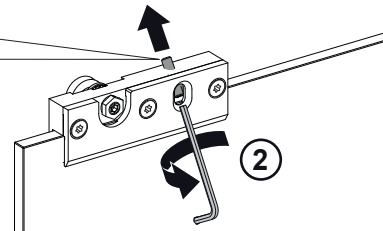
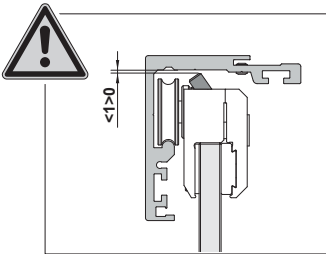
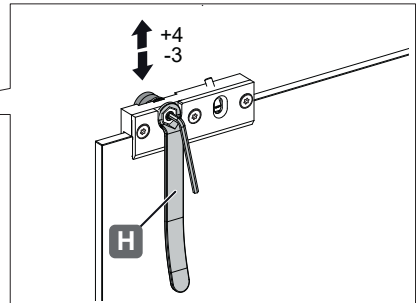
732.29.712

HDE 05.06.2023

5

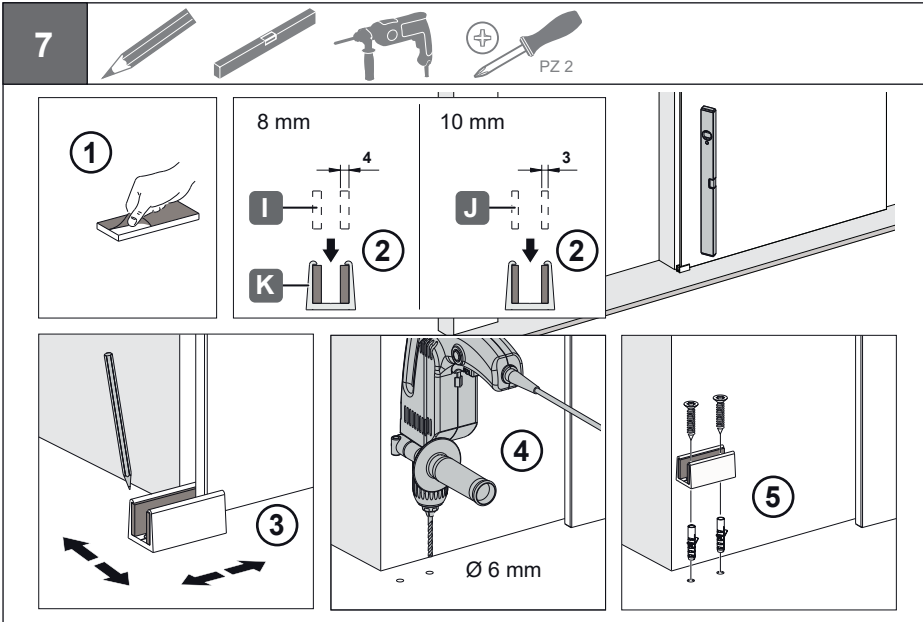


6

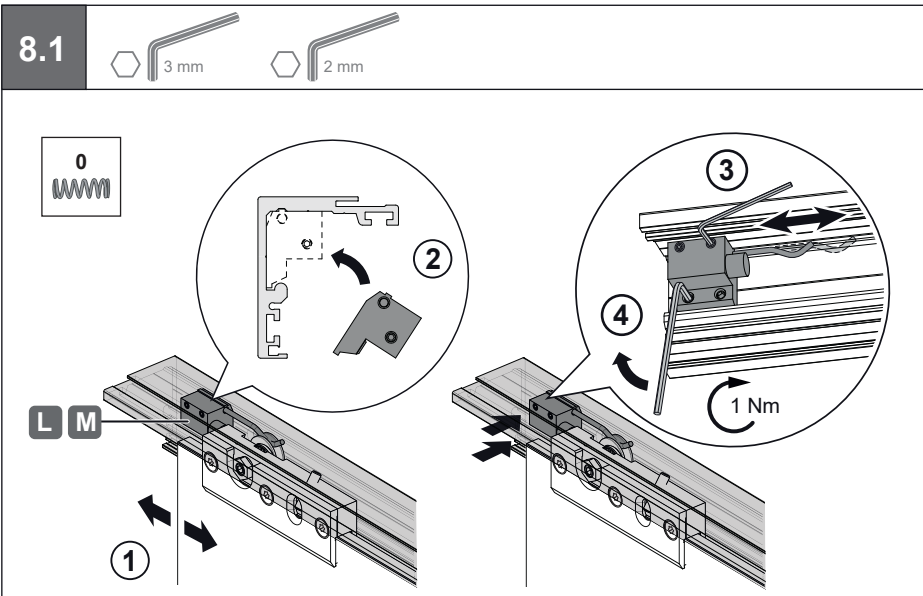


732.29.712

HDE 05.06.2023

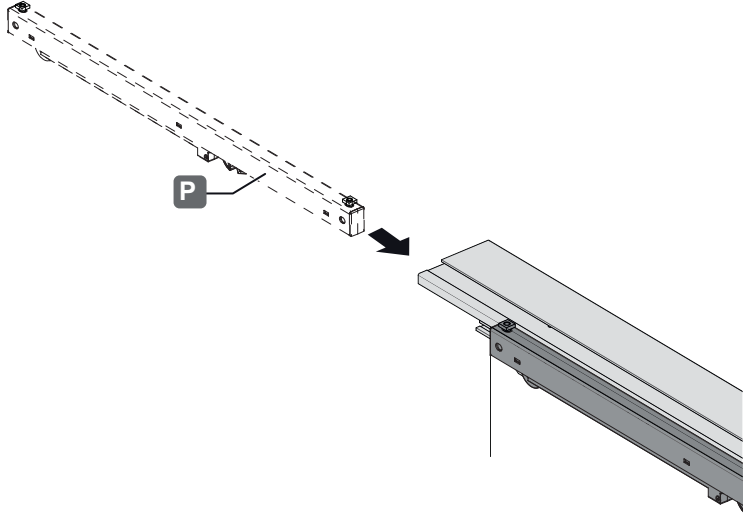


732.29.712



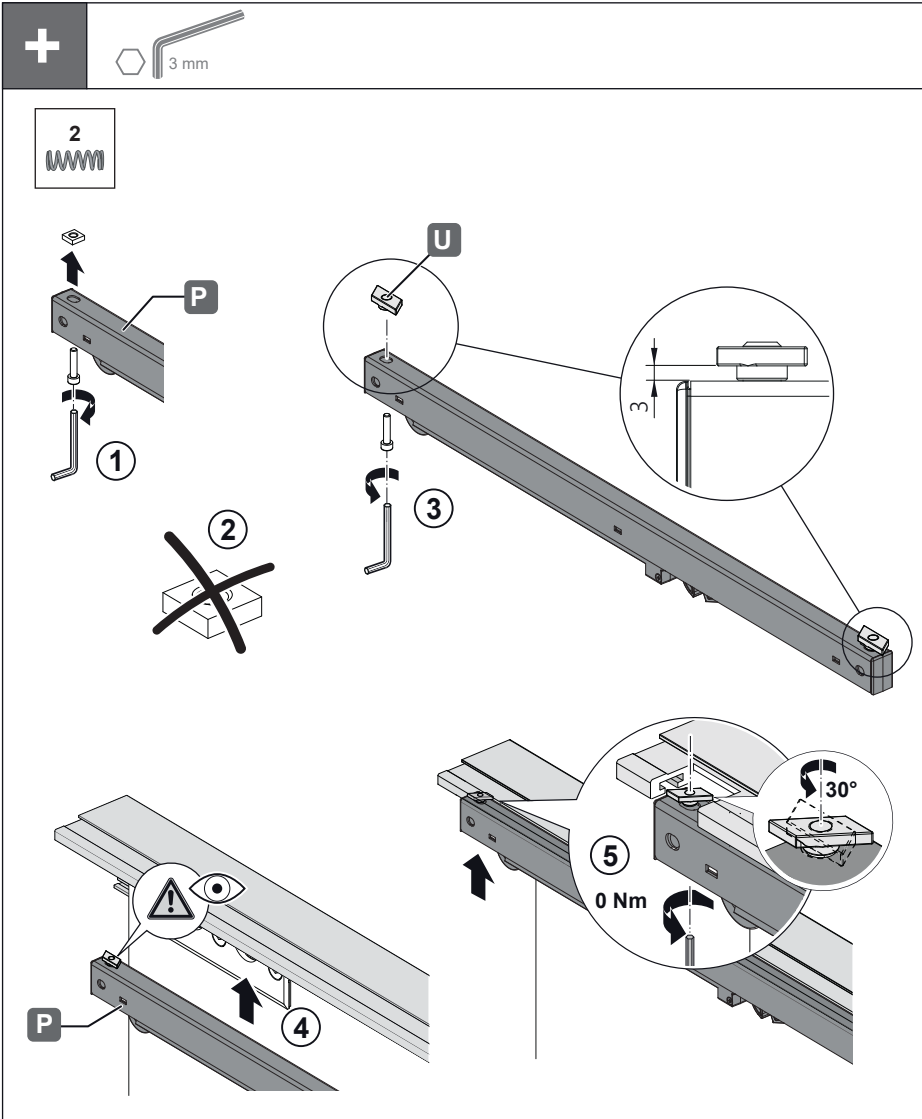
HDE 05.06.2023

8.2



732.29.712

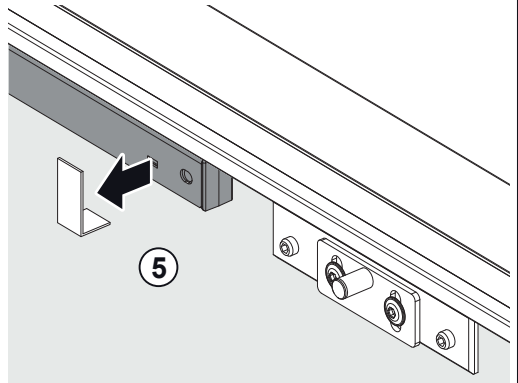
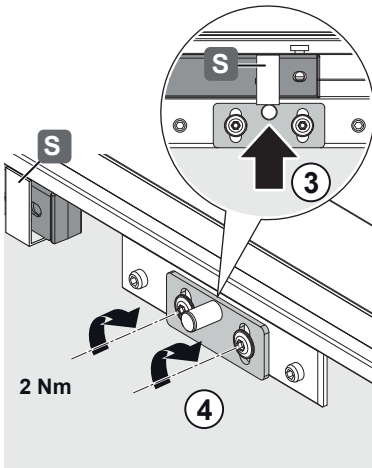
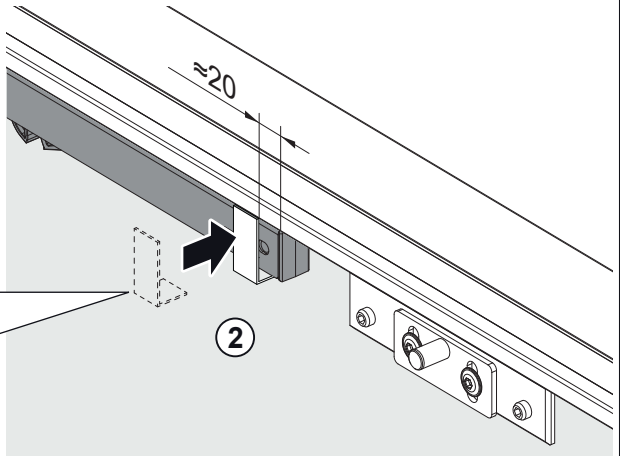
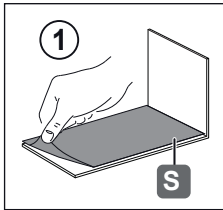
HDE 05.06.2023



732.29.712

HDE 05.06.2023

8.3



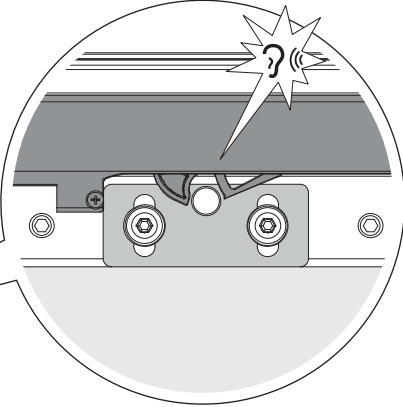
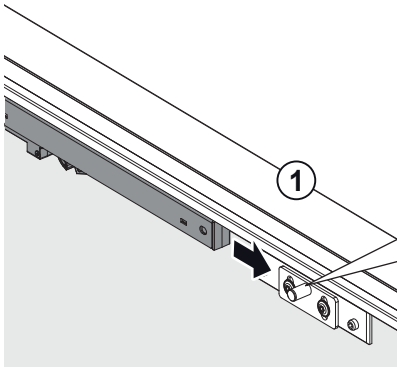
732.29.712

HDE 05.06.2023

8.4



2



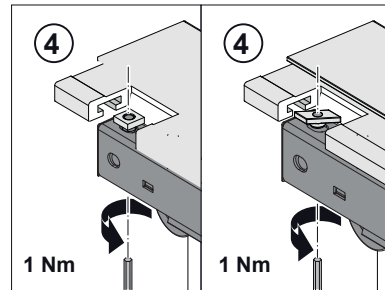
P

3

3 mm

P

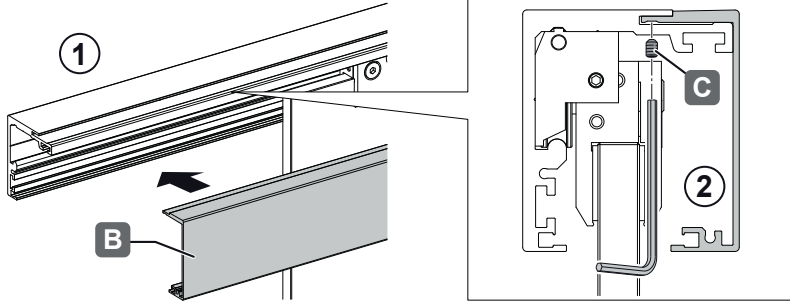
2



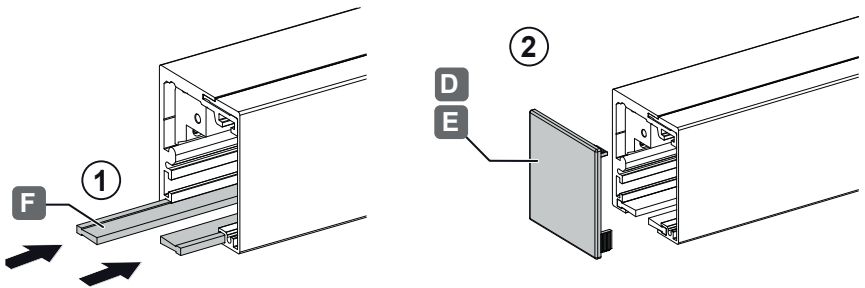
732.29.712

HDE 05.06.2023

8



9



732.29.712

HDE 05.06.2023

732.29.712

HDE 05.06.2023