



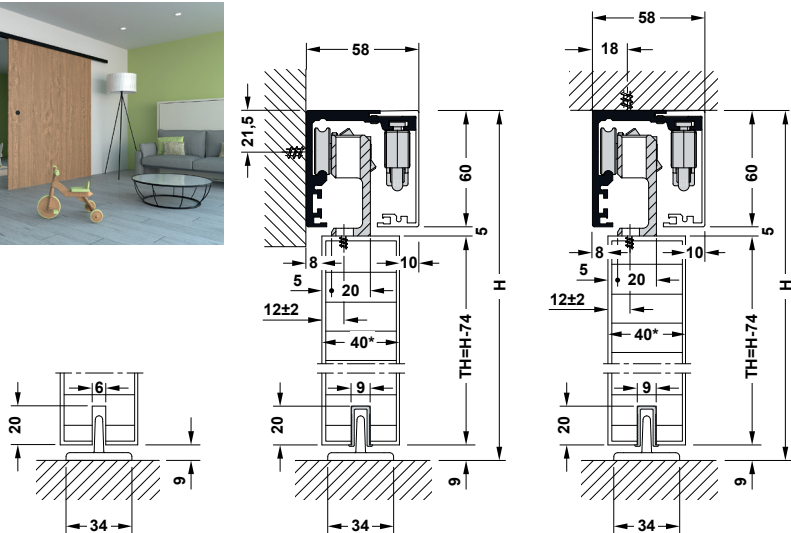


Slido D-Line12 50E

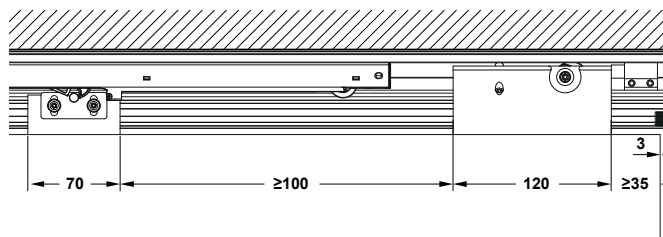
940.67.014	940.67.507
940.67.506	940.67.508
941.30.030	940.67.534
940.67.532	940.67.535

D-Line12	0 		2 	
50E	940.67.014	940.67.506	941.30.030	940.67.532
	940.67.507	940.67.508	940.67.534	940.67.535

i



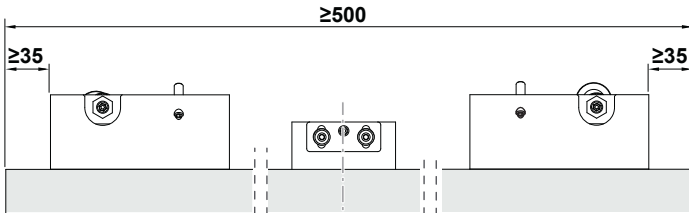
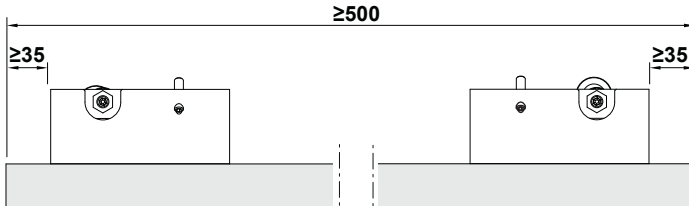
* ≥ 28 mm



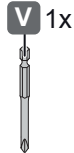
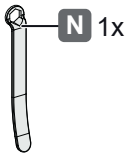
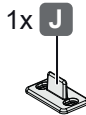
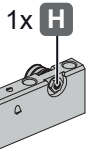
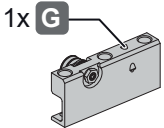
732.29.710

HDE 20.10.2022

i

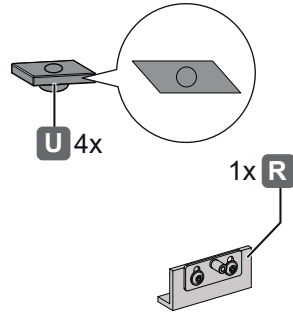
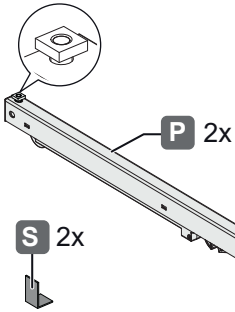
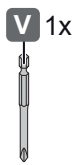
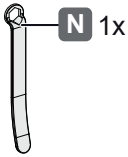
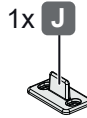
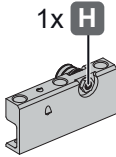
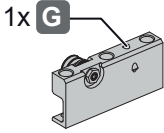


732.29.710

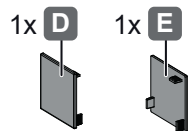
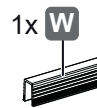
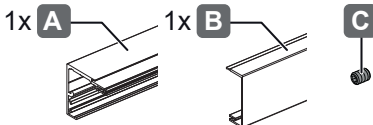




2
WWVI

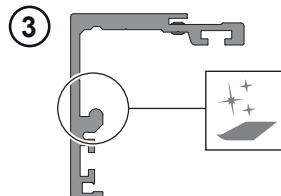
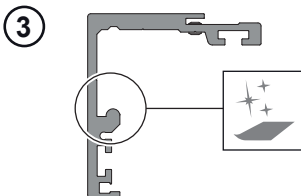
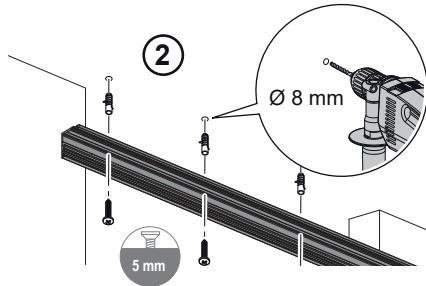
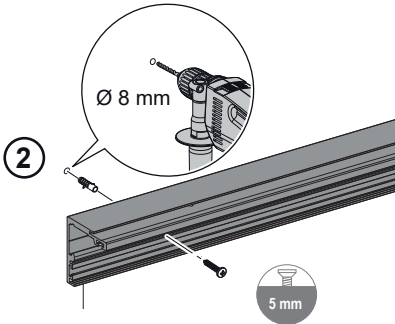
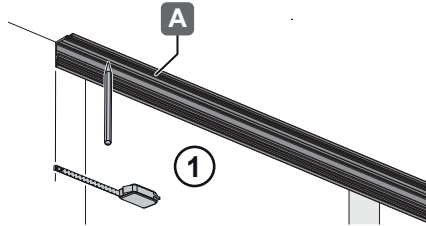
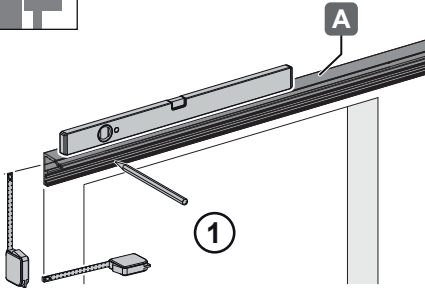


732.29.710



HDE 20.10.2022

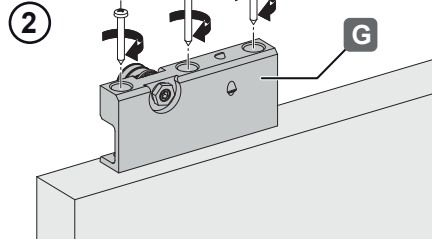
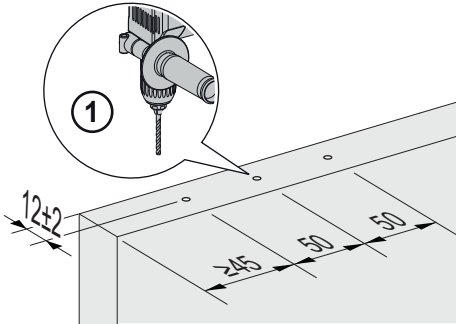
1



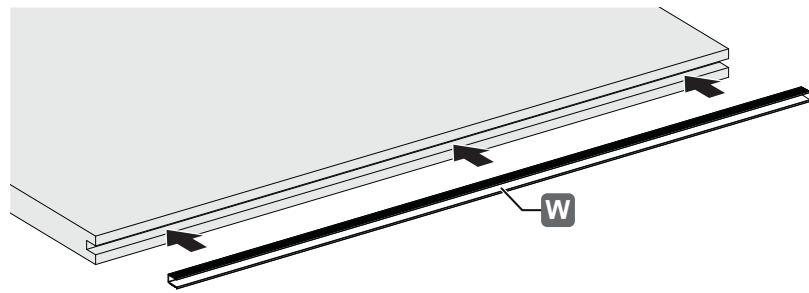
732.29.710

HDE 20.10.2022

2



3



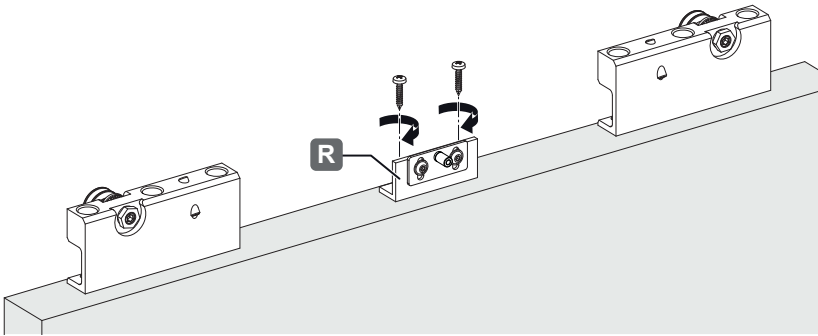
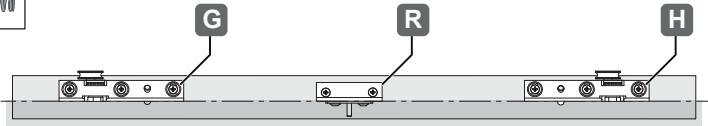
732.29.710

HDE 20.10.2022

4



2
W



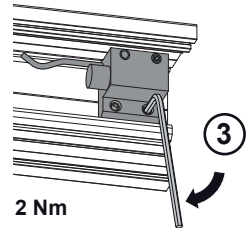
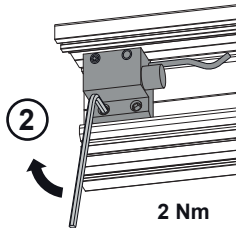
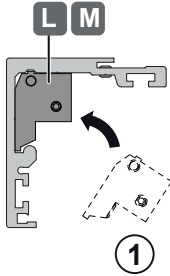
732.29.710

HDE 20.10.2022

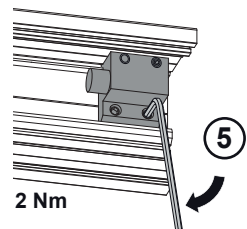
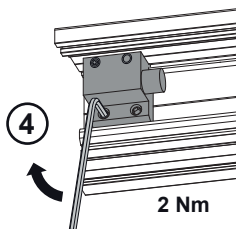
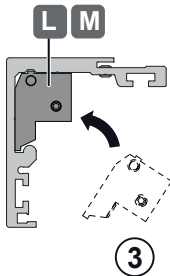
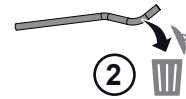
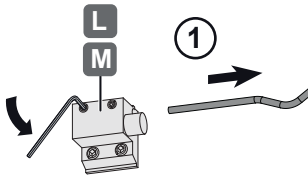
5



0



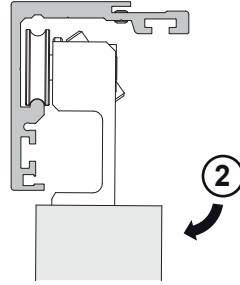
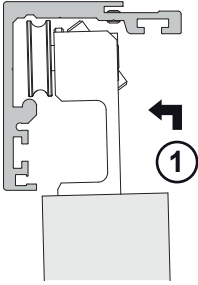
2



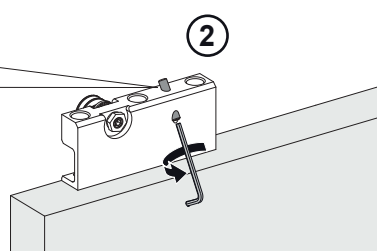
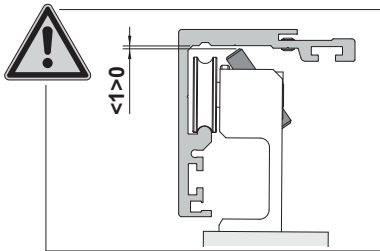
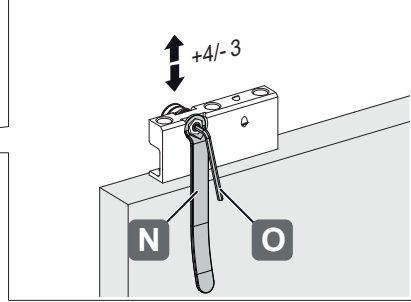
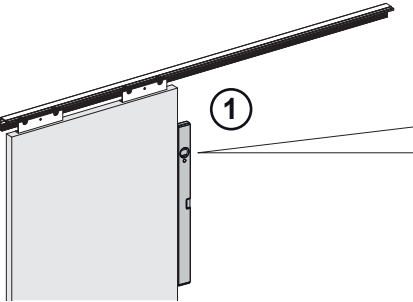
732.29.710

HDE 20.10.2022

6



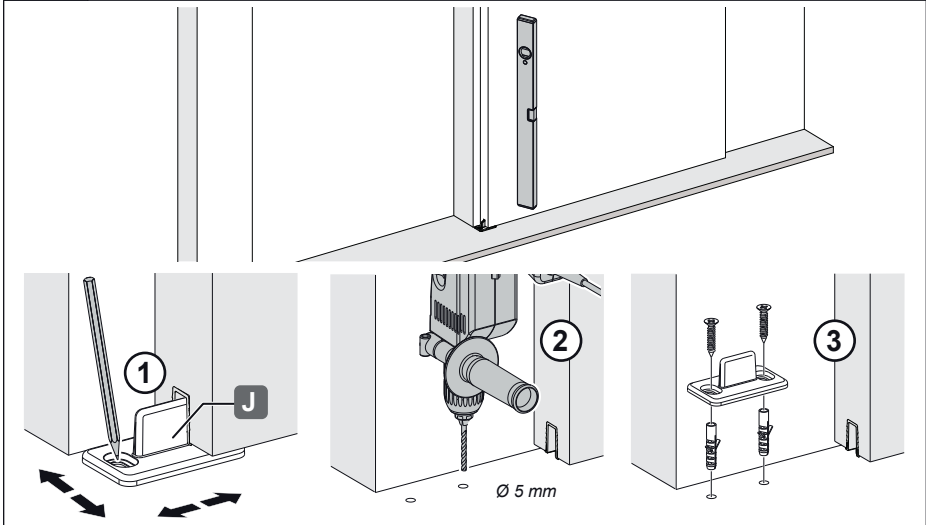
7



732.29.710

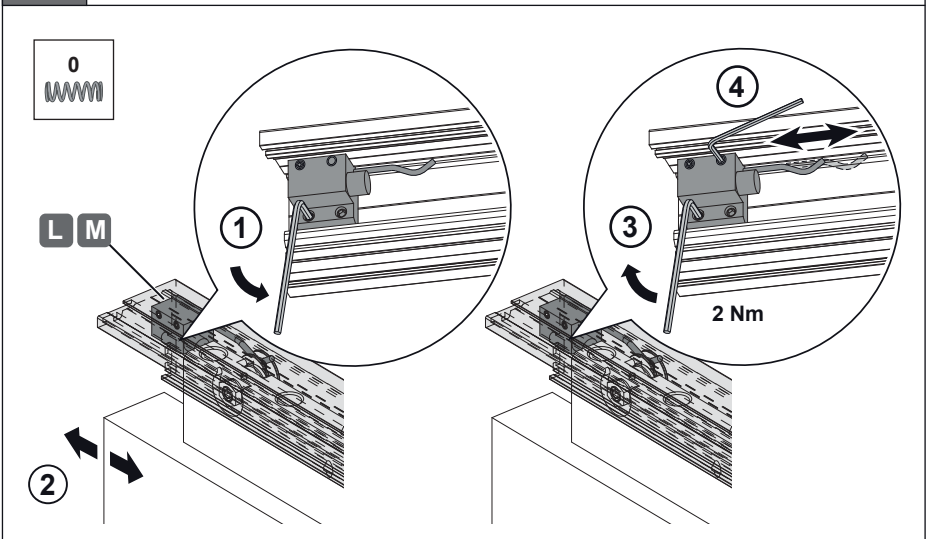
HDE 20.10.2022

8



732.29.710

9.1

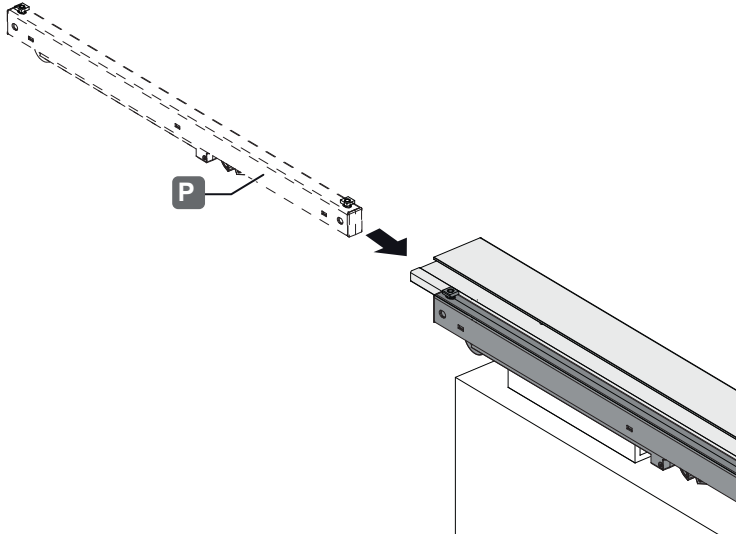


HDE 20.10.2022

9.2

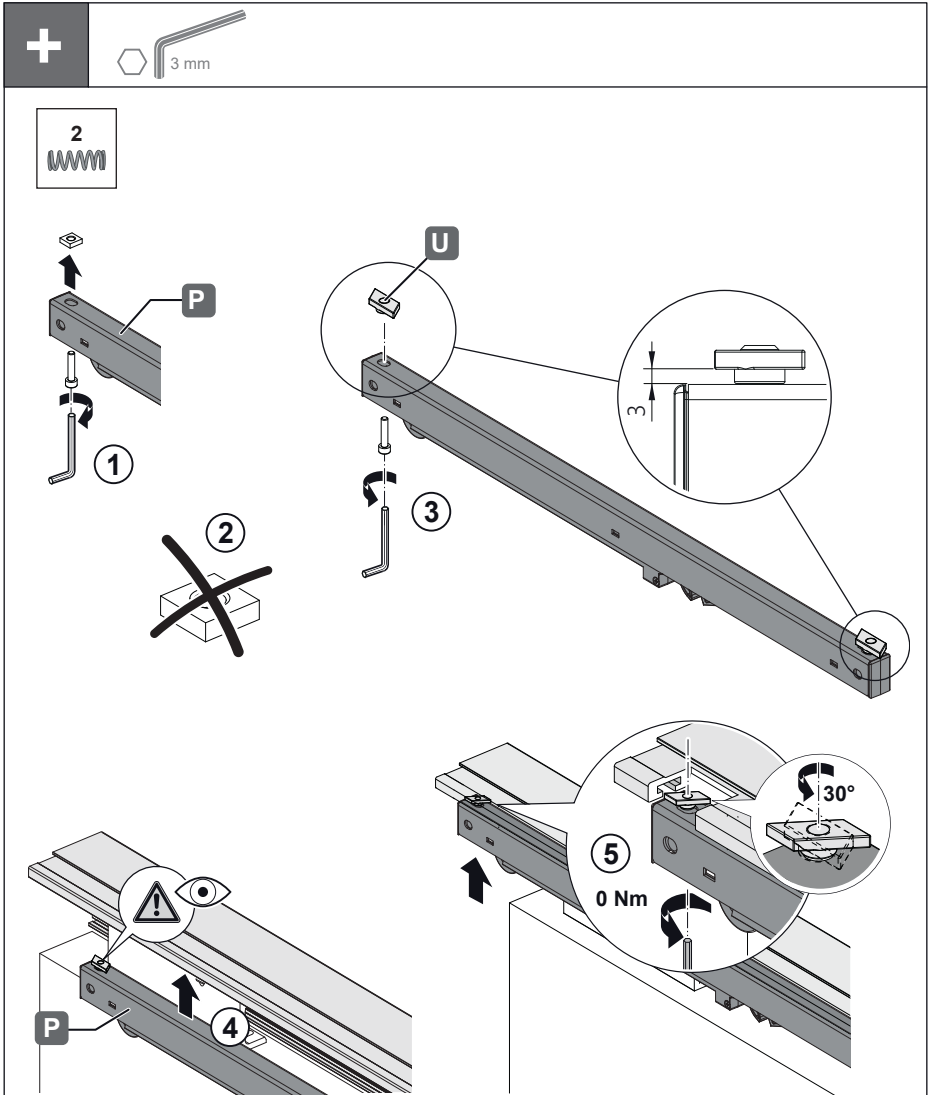


2
W



732.29.710

HDE 20.10.2022



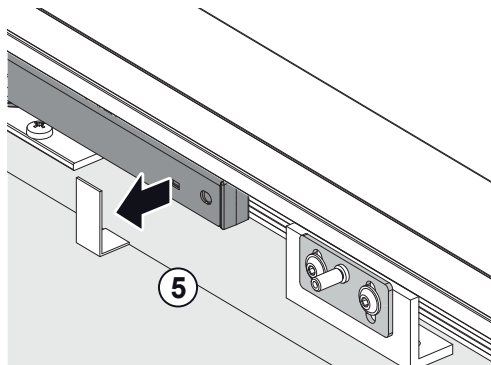
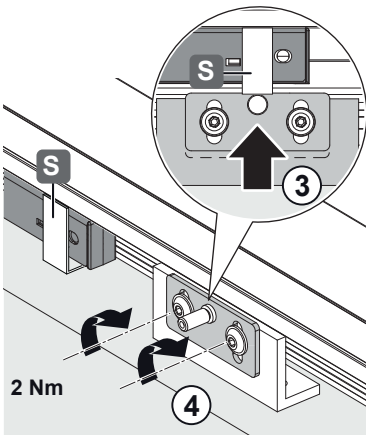
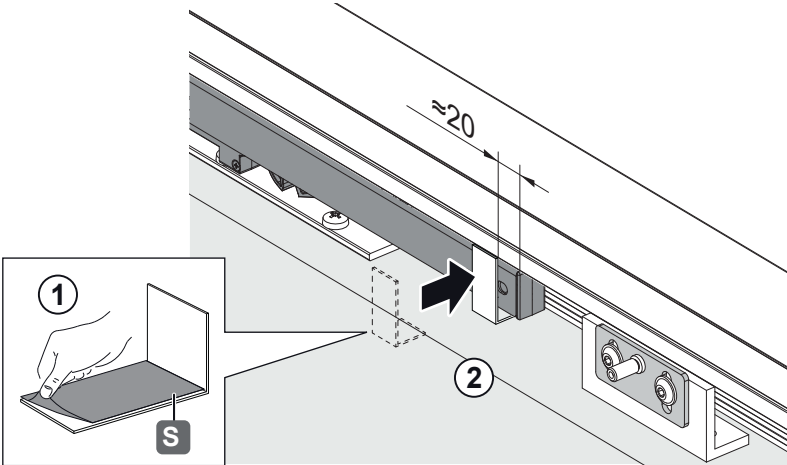
732.29.710

HDE 20.10.2022

9.3



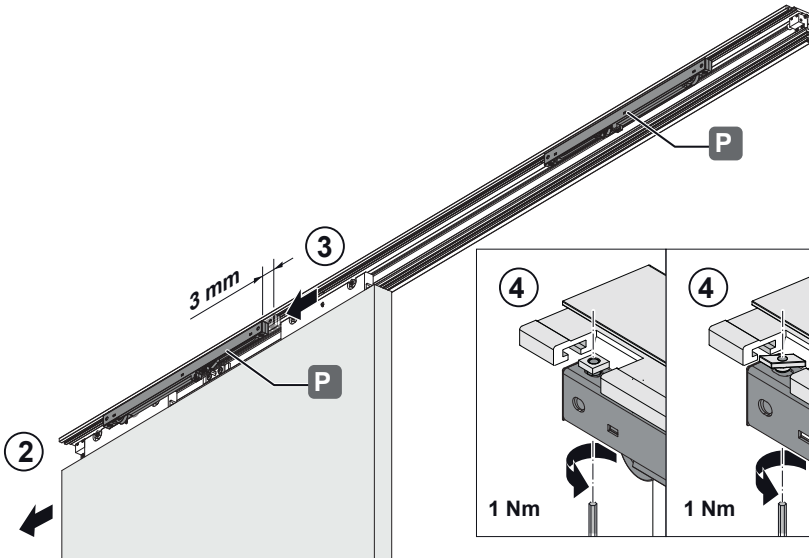
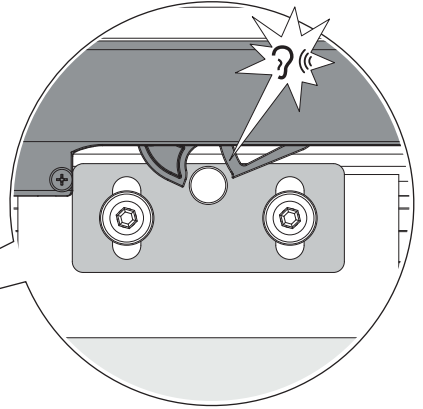
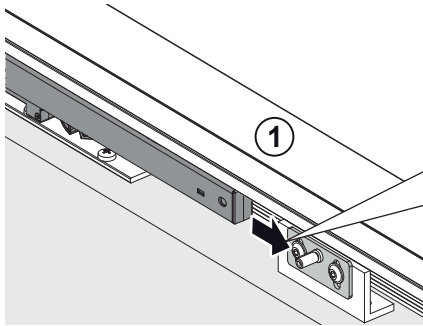
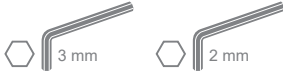
2



732.29.710

HDE 20.10.2022

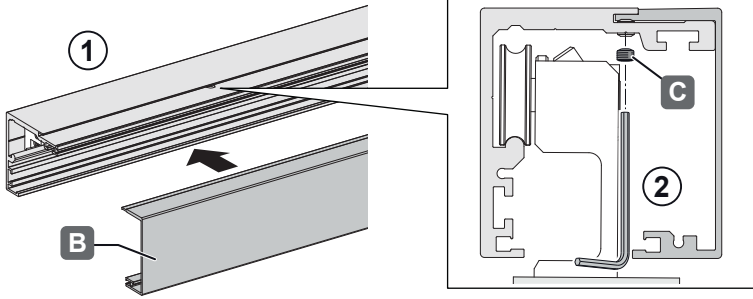
9.4



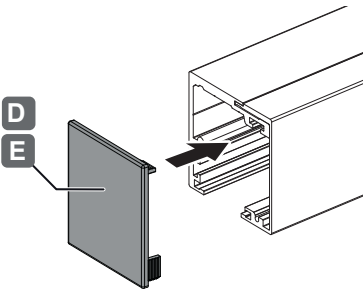
732.29.710

HDE 20.10.2022

10



11



732.29.710

HDE 20.10.2022

732.29.710

HDE 20.10.2022

732.29.710

HDE 20.10.2022