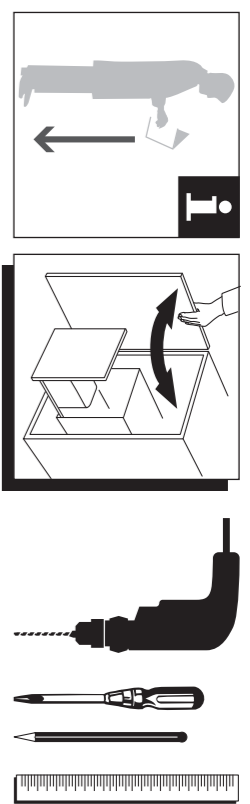


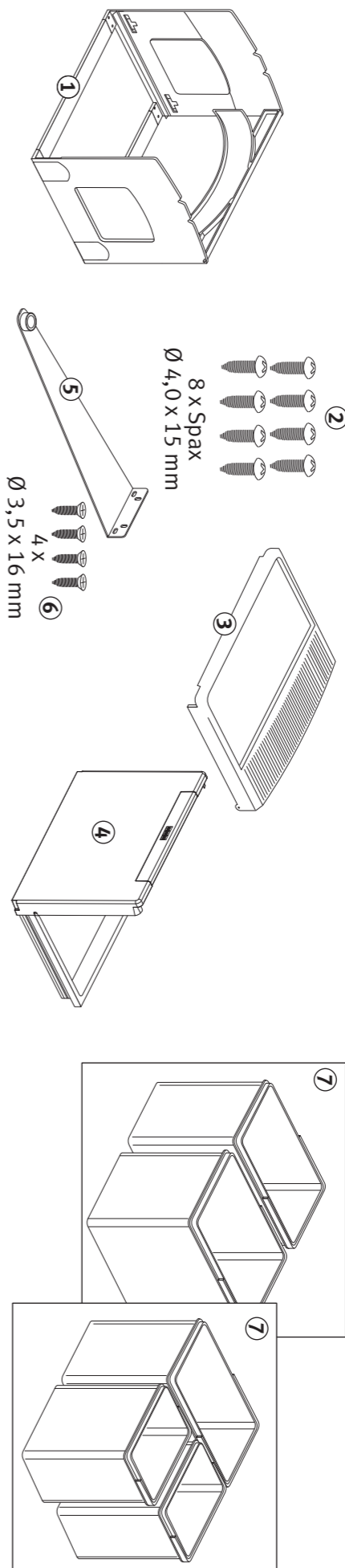
FRANKIE

CUBE 50 A

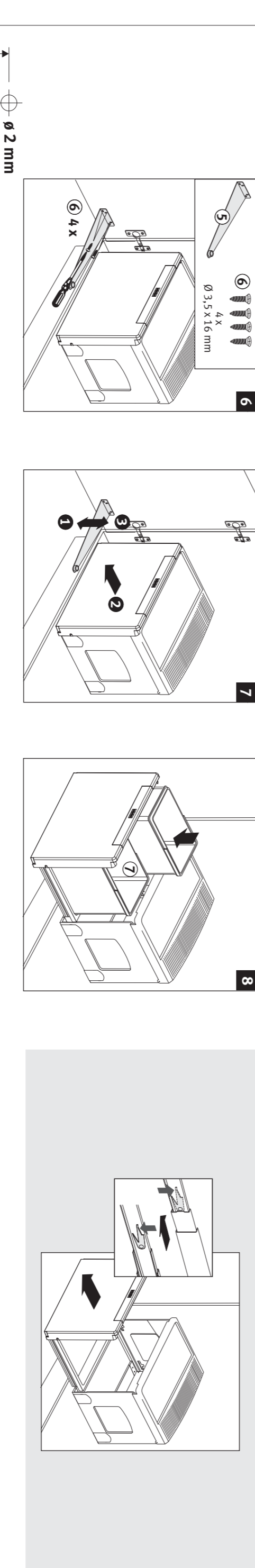
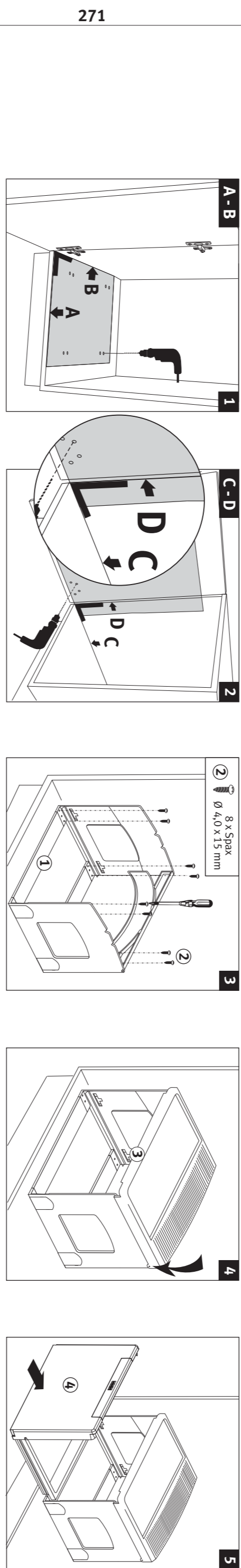
ø 2 mm



ø 2 mm
48



ø 2 mm

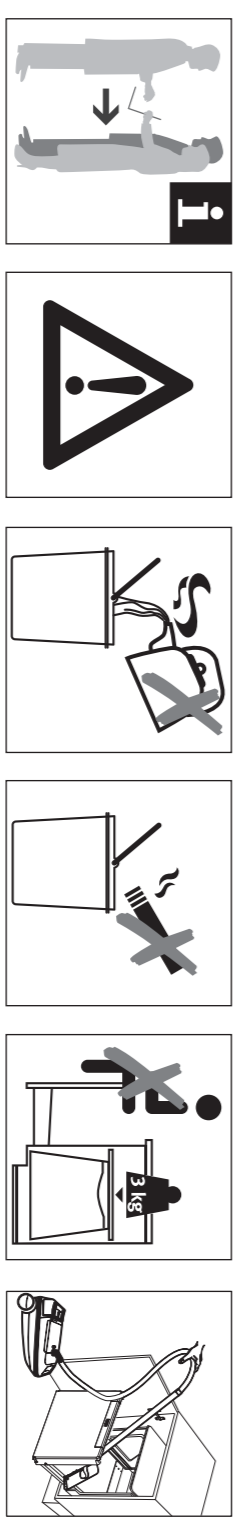


ø 2 mm

ø 2 mm
48
55

384

ø 2 mm



A

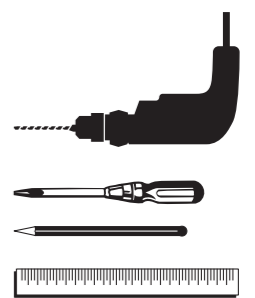
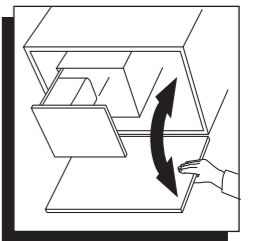
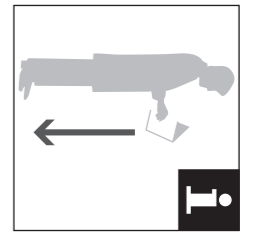
B

D

C

27 10
ø 2 mm
60 60

∅ 2 mm



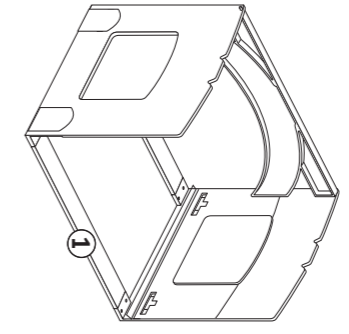
∅ 2 mm

48

FRANKIE

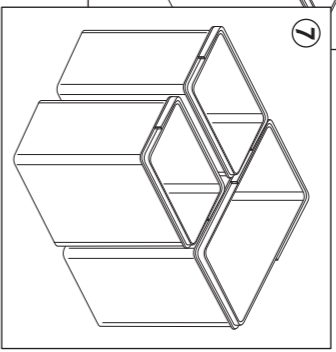
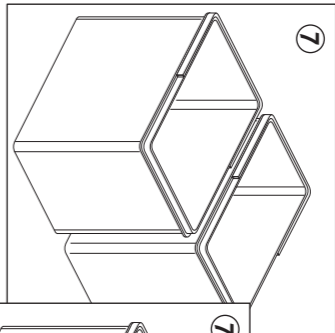
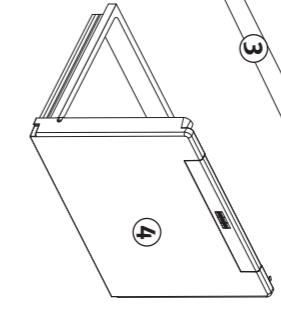
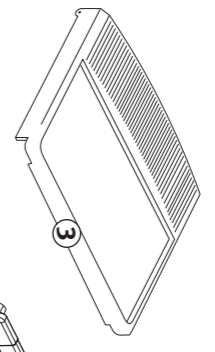
CUBE 50 A

∅ 2 mm



8 x Spax
∅ 4,0 x 15 mm

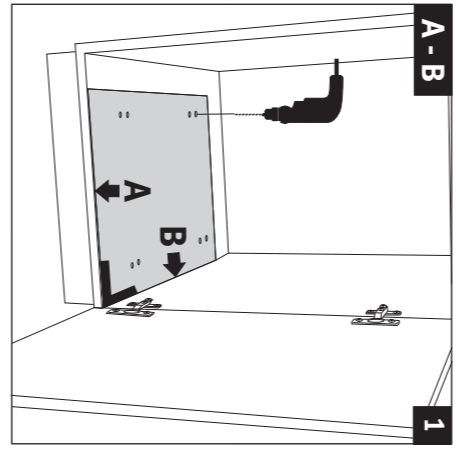
∅ 3,5 x 16 mm
4 X



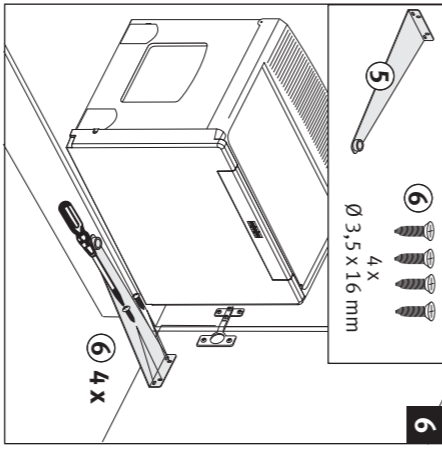
∅ 2 mm

48

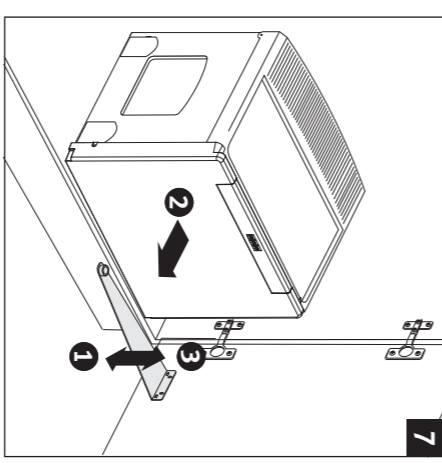
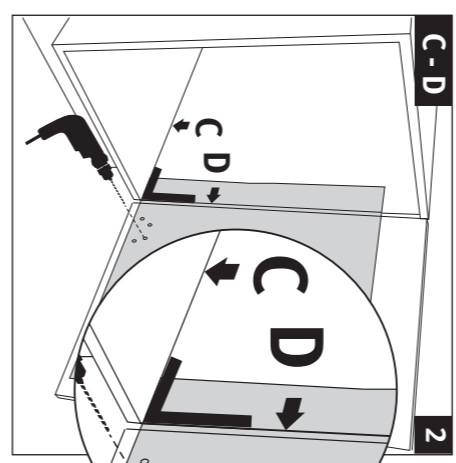
A-B



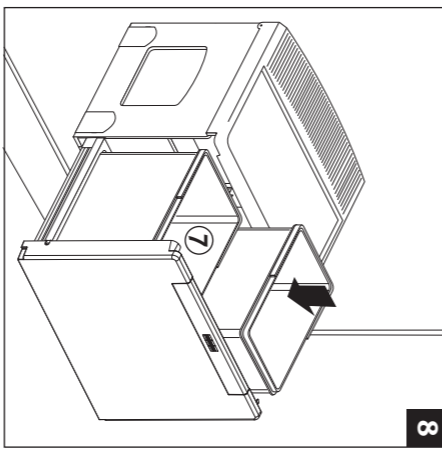
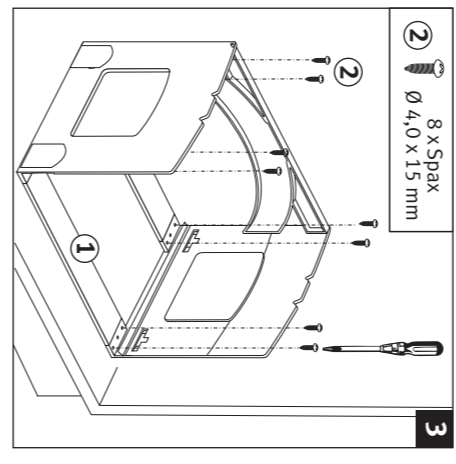
∅ 3,5 x 16 mm
4 X



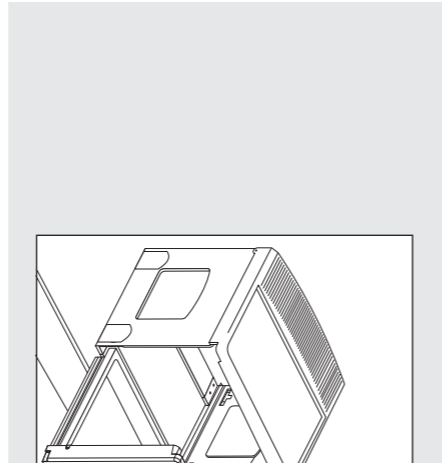
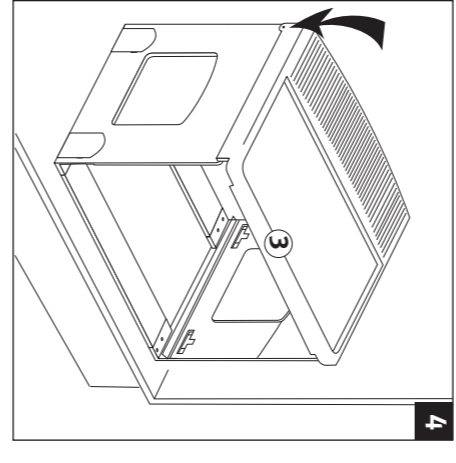
C-D



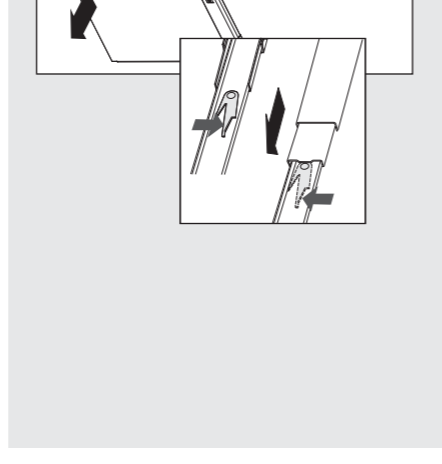
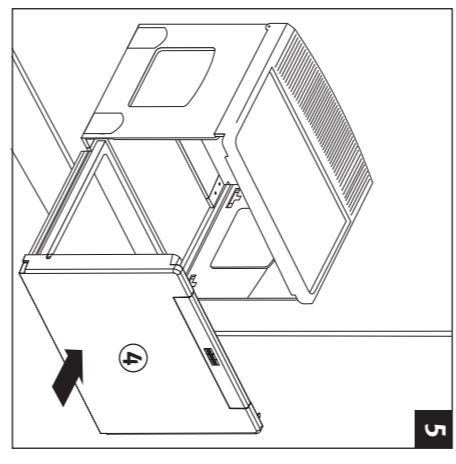
8 x Spax
∅ 4,0 x 15 mm



3



4



∅ 2 mm

384

∅ 2 mm

55

∅ 2 mm

∅ 2 mm

48

271

60

60

27

∅ 2 mm

55

D

C

A

B